

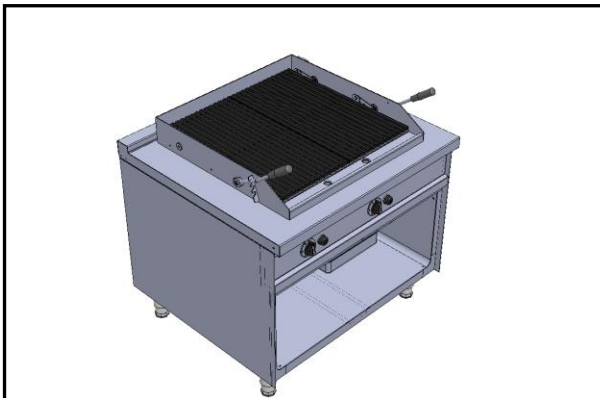


Total Food-Service Solutions

## Modular Cooking – Grandis 900

### Gas Char Broiler

#### NGCB 10-90 GR



\*Due to routine technical improvement, the photograph shown may not represent the latest design of the products.

#### AVAILABLE MODEL

1. NGCB 10-90 GR

#### DESCRIPTION

Gas Char Broiler with 22 kW power rate. Oil Splash Back is included for hygienic operation. It is equipped with durable cast iron grill.

Unit to be installed on open cabinet or similar elements, cantilever, or solid block solutions. Heavy-duty cast iron grill included. Featuring removable clip joint to connect Grandis family product.

ITEM# : \_\_\_\_\_

MODEL# : \_\_\_\_\_

NAME : \_\_\_\_\_

SN : \_\_\_\_\_

#### MAIN FEATURE

- 22 kW power rate of 2 x 11 kW tubular burner.
- Oil Splash Back included for hygienic operation.
- Durable Cast Iron Grill.
- H2 Cabinet Finishing.
- Oil collector drawer provided.
- Three level grill height level adjustment.
- Level adjuster is located on the side to prevent obstruction to user during operation.

#### CONSTRUCTION

- All exterior panels in 304 type of Stainless Steel
- Orbital top panel anti-scratch finishing.
- Top with 2.0 mm thick surface.
- Side with 0.8 mm thick surface.
- Adjustable ±25 mm Stainless Steel leg.

#### INCLUDED ACCESSORIES

- Lava Stone.
- Extra Nozzle (Main Burner & Pilot Burner).

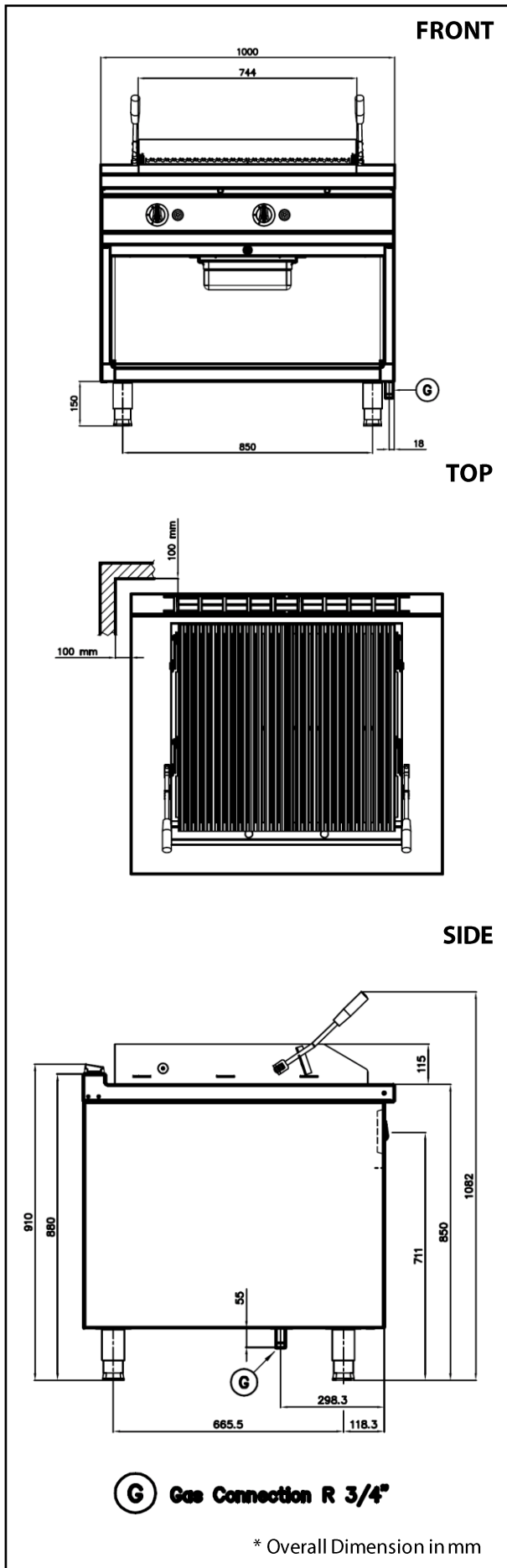
#### OPTIONAL ACCESSORIES

- Clip Plate for Joining.

\_\_\_\_\_

The company reserves the right to make modifications to the products without prior notice. All information correct at time of printing. 2017.12.09





### GAS

Gas power	:	22 kW (18,920 kCal/h)
Gas type option	:	G30/G31, G20
Gas inlet	:	R 3/4"
Natural gas pressure	:	G20 : 20 mbar
LPG Gas pressure	:	G30 : 28-30 mbar G31 : 37 mbar

### KEY INFORMATION

Unit dimension (WxDxH)	:	1000x900x850/910 mm
Cooking surface (WxD)	:	695x666 mm
Direct heat emission	:	7.70 kW
Latent heat emission	:	8.80 kW
Steam emission	:	12.94 kg / h
Number of burners	:	2
Net weight	:	-

### PACKING DETAILS

Shipping width	:	1055 mm
Shipping depth	:	995 mm
Shipping height	:	1020 mm
Shipping volume	:	1.071 m <sup>3</sup>
Net weight	:	-

\*Missing information may be updated from time to time, please contact our representative to receive the updated data sheets.